

Chapter 2nd
Computer Components

Fill in the Blanks:

1. Which part of computer system accepts input from the user?
A. Input Unit B. Output Unit C. Control Unit D. None of these
2. Which is a part of CPU?
A. Control Unit B. Memory Unit C. ALU D. All of above
3. Which memory stores permanent data in computer system?
A. Primary Memory B. RAM C. Secondary Memory D. All of above
4. Which is a most powerful type of computer?
A. Mainframe Computer B. Mini Computer C. Micro Computer D. Super Computer
5. Which part of computer system gives result as an output to the user?
A. Memory B. Input Unit C. Control Unit D. Output Unit

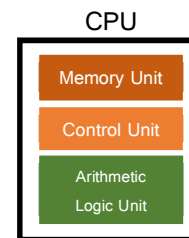
Write the full forms:

- I. **ALU** : Arithmetic Logic Unit
- II. **CPU** : Central Processing Unit
- III. **LCD** : Liquid Crystal Display
- IV. **RAM** : Random Access Memory
- V. **ROM** : Read Only Memory
- VI. **CU** : Control Unit
- VII. **MU** : Memory Unit
- VIII. **IPO** : Input Processing Output

Short Answer Type Questions**Q:1 Write the name of parts of CPU.**

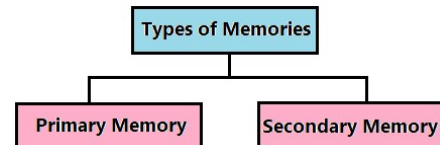
Ans: CPU consists of the following three parts:

- Memory Unit (MU)
- Control Unit (CU)
- Arithmetic Logic Unit (ALU)

**Q:2 What are the types of memories?**

Ans: Computer Memories are of following two types:

- Primary Memory
- Secondary Memory

**Q:3 What are Secondary Storage Devices?**

Ans: Secondary Storage is also known as Auxiliary Memory. To store data permanently in the computer system, we use secondary storage devices. A processor is not able to access this type of memory directly. Hard Disk, CD, DVD, Pen Drive etc. are the examples of secondary memories.

**Q:4 What is the function of ALU?**

Ans: Full form of ALU is Arithmetic and Logic Unit. It is a core component of CPU. It performs all the arithmetic and logic related tasks. This part is integrated within the “Micro-processor”.

Q:5 What is Micro-Computer?

Ans: Micro Computer is also called Personal Computer. These computers are the most common type of computers that are used now-a-days. The cost of these types of computers is very less. These computers are used in small business, small offices, schools or other workplaces.



Q:6 What are different categories of Computers?

Ans: Following are the common categories of computers:

1. Micro Computer (Personal Computer)
2. Mini Computer
3. Main Frame Computer
4. Super Computer



Micro Computer



Mini Computer



Main Frame Computer

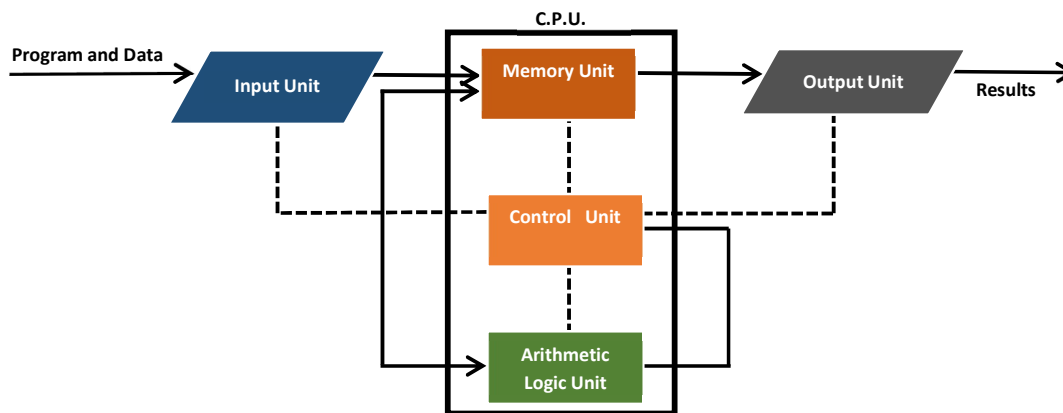


Super Computer

Long Answer Type Questions:

Q:1 What do you mean by Block Diagram of Computer? Define its Components.

Ans: Block diagram of computer refers to the layout of attachment of all components within a computer system. Following figure shows the block diagram of computer.

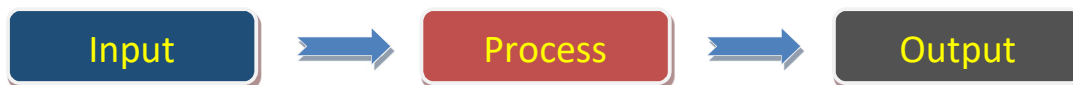


Explanation of its various components is given below:

- **Input:** This part of computer is used to accept data and instructions. Keyboard and Mouse are the commonly used input devices for this purpose.
- **Processing:** This part performs operations on data as per the received instructions. Processing is done by the Microprocessor. There are 3 main components of microprocessor: ALU, CU and MU.
- **Output:** This part shows the result after processing. Monitor is the commonly used output device for this purpose.

Q:2 How Computer Works? Explain each term in detail.

Ans: The way of processing within a computer system is called “Processing Cycle of a Computer”. We can represent processing cycle of a computer as given bellow:



Explanation of its various components is given below:

- **Input:** This part of computer is used to accept data and instructions. Keyboard and Mouse are the commonly used input devices for this purpose.
- **Processing:** This part performs operations on data as per the received instructions. Processing is done by the Microprocessor. There are 3 main components of microprocessor: ALU, CU and MU.
- **Output:** This part shows the result after processing. Monitor is the commonly used output device for this purpose.